

03 Series bearings, cartridges and pillow blocks 3 15/16 inch/100mm through 10 inches/260mm

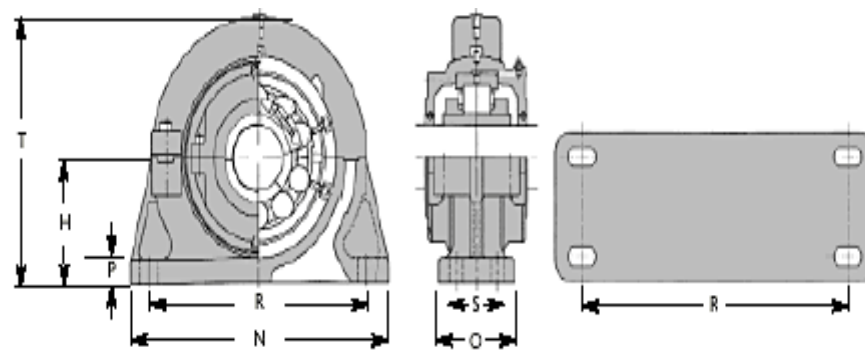
Lubricating points sizes to 408 tapped 1/8" NPT Over 408 tapped 1/4" NPT. All grooved outer races must be clamped axially, provision is made for this in Cooper cartridges.

Roller Bearing									Cartridge Unit							
Shaft diameter (d)		Reference		D	C	B BI	Q	Wt. (lb.) (kg)	References		Cartridge housing only	G	J	L	Available axial movement Note (I)	Wt. (lb.) (kg)
		Bearing only							Cartridge, bearing & seal							
inches	mm	inches	millimeters						inches	mm						
3 15/16 4	100	03 B 315 03 B 400	03 B 100	10.000 254	5.354 136	3.313 84.2	8.622 219	66 30	03 BC 315 03 BC 400	03 BC 100	03 C 54	12 1/8 308.00	3 3/4 95	8 1/8 206	15/32 29.4	158 71
4 7/16 4 1/2	110 115	03 B 403 03 B 407 03 B 408	03 B 110 03 B 115	10.500 266.70	5.787 147	3.438 87.3	9.134 232	79 36	03 BC 403 03 BC 407 03 BC 408	03 BC 110 03 BC 115	03 C 55	12 3/4 323.85	4 102	8 3/4 222	15/32 29.4	181 82
4 15/16 5	130	03 B 415 03 B 500	03 B 130	11.000 279.40	5.500 140	2.875 73.1 3.313 84.2	9.646 245	80 36	03 BC 415 03 BC 130	03 BC 500	03 C 56	12 3/4 323.85	4 102	8 3/4 222	3/4 19.184	185 84
5 7/16 5 1/2	140	03 B 503 03 B 507 03 B 508	03 B 140	12.000 304.8	5.787 147	3.125 79.4 3.563 90.5	10.630 270	97 44	03 BC 503 03 BC 507 03 BC 508	03 BC 140	03 C 57	14 355.60	4 1/4 108	9 1/16 230	3/4 19.1	211 96
5 15/16 6	150	03 B 515 03 B 600	03 B 150	13.000 330.20	6.299 160	3.188 81.0 3.813 96.9	11.496 292	125 57	03 BC 515 03 BC 600	03 BC 150	03 C 58	15 1/2 393.70	4 1/4 114	10 254	2 1/32 16.7	280 127
6 7/16 6 1/2	160 170	03 B 607 03 B 608	03 B 160 03 B 170	14.000 355.60	6.720 171	4.063 103.2	12.125 308	158 72	03 BC 607 03 BC 608	03 BC 160 03 BC 170	03 C 59	165/8 422.30	43/4 120	109/16 268	11/4 31.8	338 153
6 15/16 7	180	03 B 615 03 B 700	03 B 180	14.750 374.65	7.008 178	3.625 92.1 4.280 108.8	12.835 326	175 79	03 BC 615 03 BC 700	03 BC 180	03 C 60	17 431.80	5 1/4 132	11 3/16 284	21/32 16.7	365 166
7 15/16 8	190 200	03 B 715 03 B 800	03 B 190 03 B 200	16.500 419.10	7.520 191	3.844 97.7 4.656 118.3	14.409 366	232 105	03 BC 715 03 BC 800	03 BC 190 03 BC 200	03 C 61	19 1/4 489.00	5 3/4 146	11 13/16 300	21/32 16.7	472 214
9	220	03 B 900	03 B 220	18.500 469.90	8.346 212	4.311 109.6 5.185 131.8	16.141 410	320 145	03 BC 900	03 BC 220	03 C 62	21 1/2 546.10	6 1/2 165	13 5/32 334	3/4 19.1	660 300
10	240 260	03 B 1000	03 B 240 03 B 260	19 482.6	8.307 211	4.156 105.6 4.906 124.6	16.929 430	330 150	03 BC 1000	03 BC 240 03 BC 260	03 C 63	22 558.80	6 1/2 165	13 5/32 334	19/32 15.1	685 311

Add mm for millimeters and EX for expansion type or GR for fixed type to reference i.e. 03 B 150mm EX.

Chamfers
 Inner race: Sizes to 6 / 150mm : 3/32 / 2.5mm, over 6 / 150mm : 1/8 / 3mm
 Outer race : 1/8 / 3mm

(1) Offset from centerline to accommodate axial movement should not exceed half this amount.
 (2) Q diameter clears clamp rings.



Pillow Blocks - 4 bolt

Shaft diameter (d)		Reference		Pillow Block Casting Only	H	N	O	P	Bolts	R		Ro	S	T	Wt. (lb.) (kg)
		Pillow Block Complete								Min	Max				
inches	mm	inches	millimeters												
3 15/16 4	100	03 BCP 315 03 BCP 400	03 BCP 100	P54	17 7/32 191	20 1/4 514	6 152	1 1/2 38	4-7/8 M24	16 3/4 425	17 3/4 451	- -	3 1/4 82	16 405	320 145
4 7/16 4 1/2	110 120	03 BCP 403 03 BCP 407 03 BCP 408	03 BCP 110 03 BCP 120	P55	7 3/4 197	21 534	6 1/2 166	1 1/2 38	4-1 M24	17 1/2 445	18 1/2 470	- -	3 1/2 88	16 3/4 425	370 168
4 15/16 5	130	03 BCP 415 03 BCP 500	03 BCP 130	P56	8 203	21 1/2 546	6 1/2 166	1 7/8 48	4-1 M24	18 457	19 482	- -	3 3/4 96	17 1/8 435	400 182
5 7/16 5 1/2	140	03 BCP 507 03 BCP 508	03 BCP 140	P57	9 229	24 1/2 622	7 178	2 1/8 54	4-1 1/4 M30	19 1/2 495	21 533	- -	4 102	19 485	490 222
5 15/16 6	150	03 BCP 515 03 BCP 600	03 BCP 150	P58	10 254	26 1/4 666	8 204	2 1/4 57	4-1 1/4 M30	21 1/4 540	22 3/4 578	- -	4 3/4 120	21 535	665 302
6 7/16 6 1/2	160 170	03 BCP 607 03 BCP 608	03 BCP 160 03 BCP 170	P59	10 1/2 267	29 736	9 228	2 3/8 60	4-1 1/4 M30	24 610	25 1/2 648	- -	5 1/2 140	22 1/2 570	750 340
6 15/16 7	180	03 BCP 615 03 BCP 700	03 BCP 180	P60	11 279	30 762	10 254	2 1/2 64	4-1 1/4 M30	24 1/4 616	25 3/4 654	- -	6 152	22 7/8 580	848 385
7 15/16 8	190 200	03 BCP 715 03 BCP 800	03 BCP 190 03 BCP 200	P61	12 1/4 311	33 838	10 1/2 266	2 5/8 67	4-1 1/2 M36	24 1/4 616	25 3/4 654	- -	6 3/4 172	25 3/4 655	1132 515
9	220	03 BCP 900	03 BCP 220	P62	13 3/4 349	17 1/2 952	11 280	3 76	4-1 3/4 M42	28 1/4 718	29 3/4 756	- -	7 178	28 3/4 730	1580 715
10	240 280	03 BCP 1000 03 BCP 280	03 BCP 240	P63	15 1/2 394	36 914	16 406	3 76	4-1 3/4 M42	25 5/8 651	27 1/8 689	- -	12 304	31 790	1800 815

Add mm for millimeters and EX for expansion type or GR for fixed type to reference i.e. 03 BCP 200mm GR.