

02 Series bearings, cartridges and pillow blocks up to 6 inch/155mm shaft diameter

Roller Bearing

Shaft diameter (d)		Reference		D	C	B	Q	Wt. (lb.) (kg)
inches	mm	inches	millimeters					
1 15/16 2	50	02 B 115 02 B 200	02 B 50	4.250 107.95	2.656 67.5	1.375 35.0	3.859 98.0	4.5 2
2 3/16 2 1/4 2 7/16 2 1/2	60 65	02 B 203 02 B 204 02 B 207 02 B 208	02 B 60 02 B 65	5.000 127.00	2.844 72.3	1.531 38.9	4.567 116	7 3
2 11/16 2 3/4 2 15/16 3	70 75	02 B 211 02 B 212 02 B 215 02 B 300	02 B 70 02 B 75	5.875 149.22	3.250 82.6	1.813 46.1	5.433 138	11 5
3 3/16 3 1/4 3 7/16 3 1/2	80 85 90	02 B 303 02 B 304 02 B 307 02 B 308	02 B 80 02 B 85 02 B 90	6.688 169.86	3.528 89.7	1.906 48.4	6.141 156	16 7
3 11/16 3 3/4 3 15/16 4	100 105	02 B 311 02 B 312 02 B 315 02 B 400	02 B 100 02 B 105	7.625 193.68	3.622 92.11	2.031 51.6	7.008 178	19.8 9
4 3/16 4 7/16 4 1/2	110 115	02 B 403 02 B 407 02 B 408	02 B 110 02 B 115	9.000 228.60	3.938 100.0	2.250 57.2	7.953 202	35.3 16
4 15/16 5	120 125 130	02 B 415 02 B 500	02 B 120 02 B 125 02 B 130	10.000 254.00	4.500 114.8	2.500 63.5	8.819 224	44.1 20
5 3/16 5 7/16 5 1/2	140 145	02 B 503 02 B 507 02 B 508	02 B 140 02 B 145	10.750 273.05	4.625 117.5	2.625 66.7	9.449 240	53 24
5 15/16 6	150 155	02 B 515 02 B 600	02 B 150 02 B 155	11.500 292.10	4.875 123	2.688 68.3	10.156 258	64 29

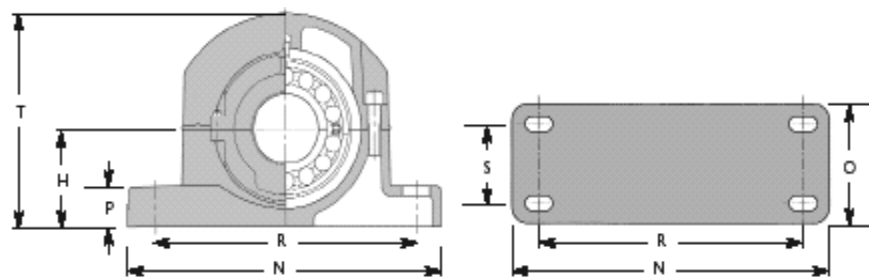
Cartridge Unit

Reference		Cartridge housing only	G	J	L	Available axial movement Note (I)	Wt. (lb.) (kg)
inches	mm						
02 BC 115 02 BC 200	02 BC 50	02 C 03	5 5/16 134.94	1 1/4 32	4 7/16 114	7/16 11.1	13 6
02 BC 203 02 BC 204 02 BC 207 02 BC 208	02 BC 60 02 BC 65	02 C 04	6 3/16 157.16	1 1/2 38	4 15/16 126	15/32 11.9	22 10
02 BC 211 02 BC 212 02 BC 215 02 BC 300	02 BC 70 02 BC 75	02 C 05	7 177.80	2 50	5 1/2 140	17/32 13.5	30.9 14
02 BC 303 02 BC 304 02 BC 307 02 BC 308	02 BC 80 02 BC 85 01 BC 90	02 C 06	8 203.20	2 50	6 1/16 154	9/16 14.3	37.5 17
02 BC 311 02 BC 312 02 BC 315 02 BC 400	02 BC 100 02 BC 105	02 C 07	9 1/8 231.78	2 1/2 64	5 3/4 146	17/32 13.5	43.3 21
02 BC 403 02 BC 407 02 BC 408	02 BC 110 02 BC 115	02 C 08	10 1/2 266.70	3 76	6 3/8 162	17/32 13.5	77.2 35
02 BC 415 02 BC 500	02 BC 120 02 BC 125 02 BC 130	02 C 10	11 5/8 295.28	3 1/4 82	7 1/4 184	5/8 15.9	101.4 46
02 BC 503 02 BC 507 02 BC 508	02 B 135 02 B 140	02 C 30	12 3/4 323.85	3 1/2 90	7 3/8 188	5/8 15.9	125.7 57
02 BC 515 02 BC 600	02 B 150 02 B 155	02 C 31	13 1/4 336.55	13 3/4 95	8 204	5/8 15.9	150 68

Add mm for millimeters and EX for expansion type or GR for fixed type to reference i.e. 02 B 100mm EX.

Chamfers
 Inner race: Sizes to 3 1/2 / 90mm : 1/16 / 1.5mm, over 3 1/2 / 90mm : 3/32 / 2.5mm
 Outer race: Sizes to 4 / 105mm : 1/32 / 1.0mm, over 4 / 105mm : 1/16 / 1.5mm

(1) Offset from centerline to accommodate axial movement should not exceed half this amount.
 (2) Q diameter clears clamp rings.



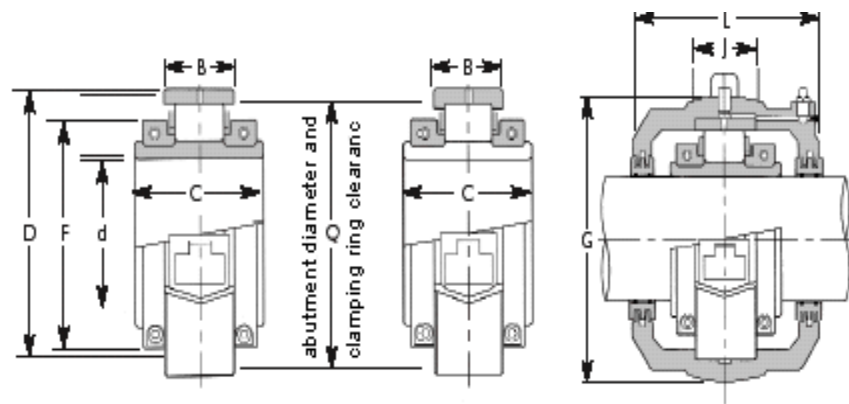
Pillow Blocks

Shaft diameter (d)		Reference		Pedestal Casting Only	H	N	*O	P	Bolts	R		S	T	Wt. (lb.) (kg)
		Pillow Block Complete								Min	Max			
inches	mm	inches	millimeters											
1 15/16 2	50	02 BCP 115 02 BCP 200	01 EBCP 50	P03	3 5/32 80	11 280	*23/4 70	1 1/4 32	two (3) 5/8 inch M16	8 7/8 226	9 1/2 242	-	7 180	26.4 12
2 3/16 2 1/4 2 7/16 2 1/2	60 65	02 BCP 203 02 BCP 204 02 BCP 207 02 BCP 208	02 BCP 60 02 BCP 65	P04	3 3/4 95	13 330	*3 76	1 1/2 38	two (3) 3/4 inch M20	10 1/4 260	11 280	-	8 1/8 208	39.6 18
2 11/16 2 3/4 2 15/16 3	70 75	02 BCP 211 02 BCP 212 02 BCP 215 02 BCP 300	02 BCP 70 02 BCP 75	P05	4 13/32 112	15 380	5 1/2 140	1 3/4 44	four (3) 3/4 inch M20	12 7/16 316	13 3/8 340	3 1/2 88	10 252	67.8 30.8
3 3/16 3 1/4 3 7/16 3 1/2	80 85 90	02 BCP 303 02 BCP 304 02 BCP 307 02 BCP 308	02 BCP 80 02 BCP 85 02 BCP 90	P06	4 15/16 125	16 3/4 426	6 152	2 52	four (3) 3/4 inch M20	14 356	15 380	4 102	10 3/4 272	86.2 39.2
3 11/16 3 3/4 3 15/16 4	100 105	02 BCP 311 02 BCP 312 02 BCP 315 02 BCP 400	02 BCP 100 02 BCP 105	P07	5 5/8 143	18 3/4 476	6 3/4 172	2 3/8 60	four (3) 3/4 inch M20	15 3/4 400	16 11/16 424.0	4 1/2 114.0	12 3/8 314.0	104.8 47.6
4 3/16 4 7/16 4 1/2	110 115	02 BCP 403 02 BCP 407 02 BCP 408	02 BCP 110 02 BCP 115	P08	6 3/8 162	20 508	7 178	1 1/2 38	four (3) 7/8 inch M24	17 1/4 438	18 3/16 462	4 3/4 120	14 3/4 372	176 80
4 15/16 5	120 125 130	02 BCP 415 02 BCP 500	02 BCP 120 02 BCP 125 02 BCP 130	P10	7 1/8 181	22 558	7 178.0	1 5/8 40	four 7/8 inch M24	19 484	20 508	4 3/4 120.0	16 1/4 415	223 101.5
5 3/16 5 7/16 5 1/2	140 145	02 BCP 503 02 BCP 507 02 BCP 508	02 BCP 140 02 BCP 145	P30	8 203	24 610	7 178.0	2 50	four 1 inch M24	21 533	22 559	4 3/4 120.0	18 460	291 132.3
5 15/16 6	150 155	02 BCP 515 02 BCP 600	02 BCP 150 02 BCP 155	P31	8 1/4 210	25 636	8 204	2 50	four 1 inch M24	21 1/2 546	22 1/2 572	5 127	18 1/2 470	340 154.5

Add mm for millimeters and EX for expansion type or GR for fixed type to reference i.e. 02 BCP 100mm GR.

(3) These pedestals are furnished in two or four bolt configuration.

* Dimensions listed applies to two bolt bases only



02 Series bearings, cartridges and pillow blocks 6 7/6 inch/160mm through 14 inches/360mm

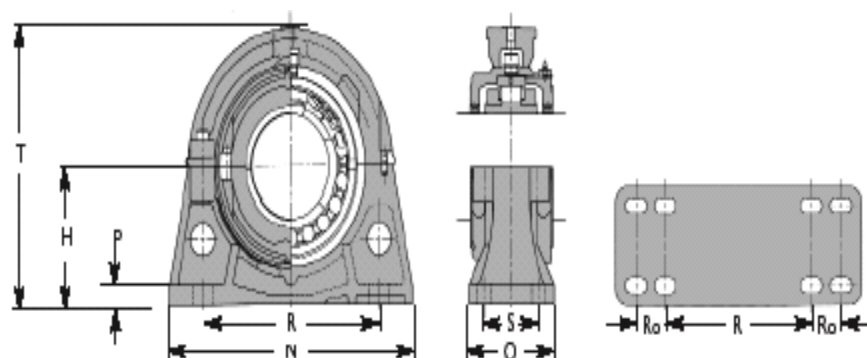
Roller Bearing								Cartridge Unit								
Shaft diameter (d)		Reference		D	C	B	Q	Wt. (lb.) (kg)	Reference		Cartridge housing only	G	J	L	Available axial movement Note (1)	Wt. (lb.) (kg)
		Bearing only							Cartridge, bearing & seal							
inches	mm	inches	millimeters						inches	mm						
6 7/16	160	02 B 607	02 B 160	12.500	5.500	3.281	11.024	85	02 BC 607	02 BC 160	02 C 32	14 1/2	3 3/4	9 1/8	1	210
6 1/2	170	02 B 608	02 B 170	317.50	140	83.3	280	39	02 BC 608	02 BC 170		368.3	95	232	25.4	95
6 15/16	180	02 B 215	02 B 180	13.000	5.500	3.281	11.575	100	02 BC 615	02 BC 180	02 C 33	15	3 3/4	9 17/32	1	244
7		02 B 700		330.20	140	83.3	294	45	02 BC 700			381.0	95	242	25.4	111
7 15/16	190	02 B 715	02 B 190	14.500	6.141	3.563	12.913	130	02 BC 715	02 BC 190	02 C 34	16 3/4	4 1/18	10 5/32	1 1/8	314
8		02 B 800		368.30	156	90.5	328	59	02 BC 800			425.5	105	274	28.6	143
9	220	02 B 900	02 B 220	15.500	6.402	3.563	13.938	150	02 BC 900	02 BC 220	02 C 35	18	4 3/18	10 25/32	1 1/8	365
				393.70	163	90.5	354	68				457.2	110	274	28.6	166
10	240	02 B 1000	02 B 240	17.000	6.688	3.813	15.276	170	02 BC 1000	02 BC 240	02 C 36	19 1/2	4 5/18	11 1/32	1 5/32	400
	260		02 B 260	431.80	170	96.8	388	77	02 BC 1000	02 BC 260		495.3	118	280	29.0	182
11	280	02 B 1100	02 B 280	18.250	7.323	4.000	16.535	190	02 BC 1100	02 BC 280	02 C 37	20 3/4	5 1/8	11 13/16	1 5/32	478
				463.55	186	101.6	420	86	02 BC 1100	02 BC 280	02 C 37	527.10	130	300	29.0	217
12	300	02 B 1200	02 B 300	19.500	7.594	4.063	17.638	270	02 BC 1200	02 BC 300	02 C 38	21 3/4	5	12 1/16	1 7/32	556
				495.30	193	103.2	448	123	02 BC 1200	02 BC 300	02 C 38	552.5	128	306	31.0	252
13	320	02 B 1300	02 B 320	20.750	7.559	4.188	18.819	330	02 BC 1300	02 BC 320	02 C 39	23 1/8	5	12 13/162	-	710
				527.05	192	106.4	478	150	02 BC 1300	02 BC 320	02 C 39	587.4	128	324	-	322
14	340	02 B 1400	02 B 340	22.250	7.875	4.563	20.236	400	02 BC 1400	02 BC 340	02 C 40	24 3/4	5 3/4	13 1/4	-	810
	360		02 B 360	565.15	200	115.9	514	182	02 BC 1400	02 BC 360		628.7	146	336	-	368

Add mm for millimeters and EX for expansion type or GR for fixed type to reference i.e. 02 B 300mm EX.

Chamfers
 Inner race: 1/8 inches / 3mm
 Outer race: 1/8 inches / 3mm

(1) Offset from centerline to accommodate axial movement should not exceed half this amount.
 (2) Q diameter clears clamp rings.

For these dimensions please consult our technical department

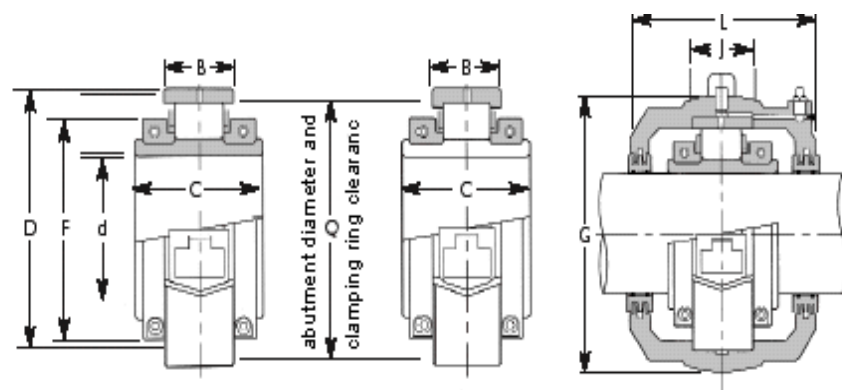


Pillow Blocks

Shaft diameter (d)		Reference		Pedestal Casting Only	H	N	O	P	Bolts	R		Ro	S	T	Wt. (lb.) (kg)
		Pillow Block Complete								Min	Max				
inches	mm	inches	millimeters												
6 7/16	160	02 BCP 607	02 BCP 160	P32	10 1/2	23 1/2	9 1/2	1 3/4	4-11/4	16 7/8	18 3/8	-	6 3/4	21	460
6 1/2	170	02 BCP 608	02 BCP 170		267	596	242	44	M30	429	467	-	172	535	209
6 15/16	180	02 BCP 615	02 BCP 180	P33	10 3/4	25	9 1/2	1 3/4	4-1 1/4	17 1/4	18 3/4	-	6 1/2	21 1/2	540
7		02 BCP 700	02 BCP 180		273	636	242	44	M30	438	476	-	166	545	245
7 15/16	190	02 BCP 715	02 BCP 190	P34	12	27	10 1/2	2	4-1 1/4	19 1/4	20 3/4	-	7 1/2	24	730
8	200	02 BCP 800	02 BCP 200		305	686	266	50	M30	489	527	-	190	610	331
9	220	02 BCP 900	02 BCP 220	P35	12 3/4	29 1/2	11	2	4-1 1/4	20 7/8	22 3/8	-	7 1/2	25 1/2	860
					324	750	280	50	M30	530	568	-	190	650	390
10	240	02 BCP 1000	02 BCP 240	P36	14	32	11 1/2	2 1/8	4-1 1/4	22 3/4	24 1/4	-	8	28	1000
	260		02 BCP 260		356	812	292	54	M36	578	616	-	204	710	454
11	280	02 BCP 1100	02 BCP 280	P37	14 7/8	36	13	2 3/8	8-1 1/4	20 1/4	21 3/4	4	10	30	1200
					378	914	330	60	M30	514	552	101.6	254	760	545
12	300	02 BCP 1200	02 BCP 300	P38	15 1/2	37 3/4	13	2 3/8	8-1 1/4	21 1/2	23	4	10	31	1380
					394	958	330	60	M30	546	584	101.6	254	790	625
13	320	02 BCP 1300	02 BCP 320	P39	16 1/2	40	11 1/2	2 1/2	8-1 1/4	23 1/4	24 3/4	4	8 1/4	33	1550
					419	1016	292	64	M30	591	629	101.6	210	840	705
14	340	02 BCP 1400	02 BCP 340	P40	17 3/4	43	14 1/2	2 5/8	8-1 1/2	25 1/4	26 3/4	4	11	35 1/2	1850
	360		02 BCP 360		451	1092	368	67	M36	641	679	101.6	280	900	840

Add mm for millimeters and EX for expansion type or GR for fixed type to reference
 i.e. 02 BCP 530 mm GR.

 This dimension is half the additional longitudinal bolt hole pitch on the eight bolt base.



02 Series bearings, cartridges and pillow blocks 15 inch/380mm through 24 inches/600mm

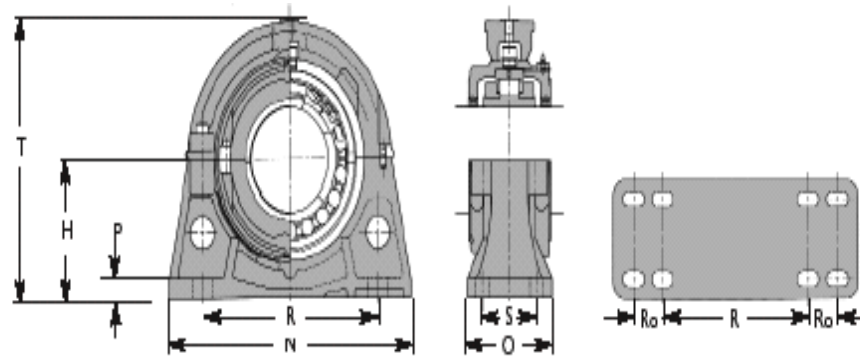
Roller Bearing									Cartridge Unit							
Shaft diameter (d)		Reference		D	C	B	Q	Wt. (lb.) (kg)	Reference		Cartridge housing only	G	J	L	Available axial movement Note (I)	Wt. (lb.) (kg)
		Bearing only							Cartridge, bearing & seal							
inches	mm	inches	millimeters						inches	mm						
15	380	02 B 1500	02 B 380	23.000 584.20	7.875 200	4.375 111.1	21.024 538	410 188	02 BC 1500	02 BC 380	02 C 41	25 1/2 647.7	5 3/4 146	13 1/4 338	- -	870 395
16	400	02 B 1600	02 B 400	24.250 615.95	7.875 200	4.563 115.9	22.205 566	460 209	02 BC 1600	02 BC 400	02 C 42	27 685.8	5 3/4 146	13 9/16 344	- -	1020 463
17	420	02 B 1700	02 B 420	25.500 647.70	7.875 200	4.688 119.1	23.388 596	530 241	02 BC 1700	02 BC 420	02 C 43	28 1/4 717.6	5 3/4 146	13 13/16 350	- -	1110 505
18	440 460	02 B 1800	02 B 440 02 B 460	26.250 666.75	7.875 200	4.563 115.9	24.250 618	550 250	02 BC 1800	02 BC 440 02 BC 460	02 C 44	28 7/8 733.4	5 3/4 146	13 13/16 350	- -	1130 515
19	480	02 B 1900	02 B 480	27.500 698.50	8.780 223	4.688 119.1	25.433 648	580 263	02 BC 1900	02 BC 480	02 C 45	30 762.0	5 3/4 146	14 1/2 368	- -	1180 535
20	500	02 B 2000	02 B 500	28.250 717.55	8.898 228	4.563 115.9	26.220 670	600 272	02 BC 2000	02 BC 500	02 C 46	31 787.4	5 3/4 146	14 1/2 368	- -	1310 595
21	530	02 B 2100	02 B 530	30.000 762.00	9.016 229	4.688 119.1	27.638 710	680 309	02 BC 2100	02 BC 530	02 C 47	32 3/4 831.9	5 7/8 150	14 1/2 368	- -	1450 660
22	560	02 B 2200	02 B 560	31.250 793.75	9.172 233	4.813 122.2	28.819 738	740 336	02 BC 2200	02 BC 560	02 C 48	34 1/8 866.8	6 152	14 3/4 374	- -	1570 715
23	-	02 B 2300	-	32.000 813	9.134 232	4.688 119.1	29.685 754	750 341	02 BC 2300	-	02 C 49	34 3/4 883	6 152	14 3/4 374	- -	1600 727
24	600	02 B 2400	02 B 600	33.000 838.20	8.425 214	4.688 119.1	30.630 768	840 381	02 BC 2400	02 BC 600	02 C 50	36 914.4	6 152	15 5/16 388	- -	1840 835

Add mm for millimeters and EX for expansion type or GR for fixed type to reference i.e. 02 B 300mm EX.

Chamfers
 Inner race: 1/8 inches/3mm
 Outer race: 1/8 inches/3mm

(1) Offset from centerline to accommodate axial movement should not exceed half this amount.
 (2) Q diameter clears clamp rings.

For these dimensions please consult our technical department



Pillow Blocks

Shaft diameter (d)		Reference		Pedestal Casting Only	H	N	O	P	Bolts	R		Ro	S	T	Wt. (lb.) (kg)
		Pillow Block Complete								Min	Max				
inches	mm	inches	millimeters												
15	380	02 BCP 1500	02 BCP 380	P41	18 9/32 484	43 1092	14 1/2 368	2 5/8 67	8-1 1/2 M36	26 1/8 664	27 5/8 702	4 101.6	11 280	38 1/2 925	1950 885
16	400	02 BCP1600	02 BCP 400	P42	19 1/2 495	46 1188	14 1/2 368	2 3/4 70	8-1 1/2 M36	28 711	29 1/2 749	4 101.6	11 280	39 990	2200 1000
17	420	02 BCP1700	02 BCP 420	P43	20 9/32 514	47 1194	14 1/2 368	2 3/4 70	8-1 1/2 M36	29 1/2 749	31 787	4 101.6	11 280	40 1/2 1030	2400 1090
18	440 480	02 BCP 1800	02 BCP 440 02 BCP 480	P44	21 533	49 1244	14 1/2 368	2 7/8 73	8-1 1/2 M36	30 1/4 768	31 3/4 806	4 1/8 104.8	11 280	42 1070	2500 1135
19	480	02 BCP 1900	02 BCP 480	P45	2 13/4 552	50 1270	14 1/2 368	3 76	8-1 1/2 M36	31 1/4 794	32 3/4 832	4 1/2 114.3	11 280	43 1/2 1110	2700 1225
20	500	02 BCP 2000	02 BCP 500	P46	22 17/32 572	51 1296	14 1/2 368	3 1/8 80	8-1 1/2 M36	32 1/2 826	34 863.6	4 1/2 114.3	11 280	45 1145	2950 1340
21	530	02 BCP 2100	02 BCP 530	P47	23 9/32 594	55 1398	14 1/2 368	3 1/4 83	8-1 1/2 M36	34 1/4 870	35 3/4 908	4 1/2 114.3	11 280	46 1/2 1180	3450 1565
22	580	02 BCP 2200	02 BCP 580	P48	24 1/4 616	56 1422	15 382	3 3/8 86	8-1 3/4 M42	35 3/8 905	37 5/8 956	4 1/2 114.3	11 280	48 1/2 1230	3700 1680
23	-	02 BCP 2300	-	P49	25 635	57 1448	15 382	3 1/2 89	8-1 3/4 M42	36 3/4 933	38 3/4 984	4 1/2 114.3	11 280	50 1270	3800 1727
24	600	02 BCP 2400	02 BCP 600	P50	26 1/2 673	60 1524	15 382	3 5/8 92	8-1 3/4 M42	38 3/4 984	40 3/4 103.5	4 1/2 114.3	11 280	53 1345	4150 1885

Add mm for millimeters and EX for expansion type or GR for fixed type to reference i.e. 02 BCP 530 mm GR.