

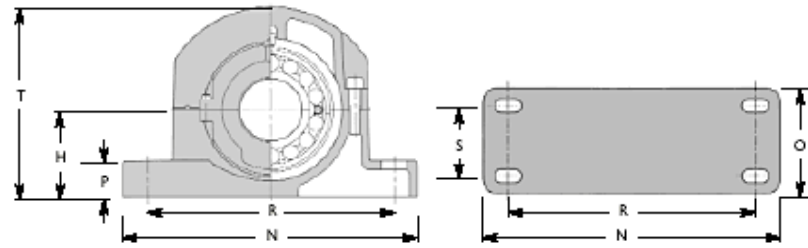
01 Series bearings, cartridges and pillow blocks up to 6 inch/155mm shaft diameter

| Roller Bearing | | | | | | | | | Cartridge Unit | | | | | | | |
|--------------------|-----|--------------|-------------|--------|-------|-------|-------|----------------|-----------------------------|------------|------------------------|---------|-------|---------|-----------------------------------|----------------|
| Shaft diameter (d) | | Reference | | D | C | B | Q | Wt. (lb.) (kg) | References | | Cartridge housing only | G | J | L | Available axial movement Note (1) | Wt. (lb.) (kg) |
| inches | mm | Bearing only | | | | | | | Cartridge, bearing and seal | | | | | | | |
| | | inches | millimeters | | | | | inches | millimeters | | | | | | | |
| 1 3/16 | | 01 B 103 | | | | | | | 01 BC 103 | | | | | | | |
| 1 1/4 | 35 | 01 B 104 | 01 B 35 | 3.313 | 1.972 | 0.938 | 2.953 | 2.2 | 01 BC 104 | 01 BC 35 | 01 C 01 | 3 15/16 | 1.0 | 3 3/8 | 7/32 | 6.6 |
| 1 7/16 | 40 | 01 B 107 | 01 B 40 | 84.14 | 50.1 | 23.8 | 75.0 | 1.0 | 01 BC 107 | 01 BC 40 | | 100.0 | 25 | 86 | 5.56 | 3.0 |
| 1 1/2 | | 01 B 108 | | | | | | | 01 BC 108 | | | | | | | |
| 1 11/16 | | 01 EB 111 | | | | | | | 01 EBC 111 | | | | | | | |
| 1 3/4 | 45 | 01 EB 112 | 01 EB 45 | 3.875 | 2.192 | 1.000 | 3.453 | 3.3 | 01 EBC 112 | 01 EBC 45 | 01 C 02 | 4 5/8 | 1.0 | 3 13/16 | 7/32 | 8.8 |
| 1 15/16 | 50 | 01 EB 115 | 01 EB 50 | 98.42 | 55.7 | 25.4 | 90.0 | 1.5 | 01 EBC 115 | 01 EBC 50 | | 117.48 | 25 | 98.0 | 5.56 | 4.0 |
| 2 | | 01 EB 200 | | | | | | | 01 EBC 200 | | | | | | | |
| 2 3/16 | | 01 EB 203 | | | | | | | 01 EBC 203 | | | | | | | |
| 2 1/4 | 60 | 01 EB 204 | 01 EB 60 | 4.500 | 2.192 | 1.063 | 4.134 | 3.3 | 01 EBC 204 | 01 EBC 60 | 01 C 03 | 5 5/16 | 11/4 | 4 1/16 | 5/16 | 11.0 |
| 2 7/16 | 65 | 01 EB 207 | 01 EB 65 | 114.30 | 55.7 | 27.0 | 105.0 | 1.5 | 01 EBC 207 | 01 EBC 65 | | 134.94 | 32.0 | 104.0 | 7.94 | 5.0 |
| 2 1/2 | | 01 EB 208 | | | | | | | 01 EBC 208 | | | | | | | |
| 2 11/16 | | 01 EB 211 | | | | | | | 01 EBC 211 | | | | | | | |
| 2 3/4 | 70 | 01 EB 212 | 01 EB 70 | 5.250 | 2.410 | 1.250 | 4.882 | 5.5 | 01 EBC 212 | 01 EBC 70 | 01 C 04 | 6 3/16 | 1 1/2 | 4 1/2 | 5/16 | 17.6 |
| 2 15/16 | 75 | 01 EB 215 | 01 EB 75 | 133.35 | 61.2 | 31.8 | 124.0 | 2.5 | 01 EBC 215 | 01 EBC 75 | | 157.16 | 38.0 | 114.0 | 7.94 | 8.0 |
| 3 | | 01 EB 300 | | | | | | | 01 EBC 300 | | | | | | | |
| 3 3/16 | | 01 EB 303 | | | | | | | 01 EBC 303 | | | | | | | |
| 3 1/4 | 80 | 01 EB 304 | 01 EB 80 | 6.000 | 2.781 | 1.531 | 5.591 | 8.8 | 01 EBC 304 | 01 EBC 80 | 01 C 05 | 7 | 2.0 | 5 5/16 | 15/32 | 24.3 |
| 3 7/16 | 85 | 01 EB 307 | 01 EB 85 | 152.40 | 70.7 | 38.9 | 142.0 | 4.0 | 01 EBC 307 | 01 EBC 85 | | 177.80 | 50.0 | 136.0 | 11.91 | 11.0 |
| 3 1/2 | 90 | 01 EB 308 | 01 EB 90 | | | | | | 01 EBC 308 | | | | | | | |
| 3 11/16 | | 01 EB 311 | | | | | | | 01 EBC 311 | | | | | | | |
| 3 3/4 | 100 | 01 EB 312 | 01 EB 100 | 6.875 | 3.188 | 1.781 | 6.378 | 13.2 | 01 EBC 312 | 01 EBC 100 | 01 C 06 | 8 | 2 | 5 1/4 | 1/2 | 30.8 |
| 3 15/16 | 105 | 01 EB 315 | 01 EB 105 | 174.62 | 81.0 | 45.3 | 162.0 | 6.0 | 01 EBC 315 | 01 EBC 105 | | 203.20 | 50.0 | 134.0 | 12.70 | 14.0 |
| 4 | | 01 EB 400 | | | | | | | 01 EBC 400 | | | | | | | |
| 4 3/16 | | 01 B 403 | | | | | | | 01 BC 403 | | | | | | | |
| 4 7/16 | 110 | 01 B 407 | 01 B 110 | 8.000 | 3.342 | 1.844 | 7.165 | 19.8 | 01 BC 407 | 01 BC 110 | 01 C 07 | 9 1/8 | 2 1/2 | 5 5/8 | 1/2 | 46.3 |
| 4 1/2 | 115 | 01 B 408 | 01 B 115 | 203.20 | 84.9 | 46.9 | 182.0 | 9.0 | 01 BC 408 | 01 BC 115 | | 321.78 | 64.0 | 142.0 | 12.70 | 21.0 |
| 4 15/16 | 120 | 01 B 415 | 01 B 120 | 8.750 | 3.531 | 2.125 | 7.874 | 24.3 | 01 BC 415 | 01 BC 120 | 01 C 08 | 10 1/2 | 3.0 | 6 1/8 | 5/8 | 68.3 |
| 5 | 125 | 01 B 500 | 01 B 125 | 222.25 | 89.7 | 54.0 | 200.0 | 11.0 | 01 BC 500 | 01 BC 125 | | 266.76 | 76.0 | 156.0 | 16.0 | 31.0 |
| | 130 | | 01 B 130 | | | | | | 01 BC 130 | | | | | | | |
| 5 3/16 | | 01 B 503 | | | | | | | 01 BC 503 | | | | | | | |
| 5 7/16 | 135 | 01 B 507 | 01 B 135 | 9.500 | 3.875 | 2.188 | 8.504 | 30.9 | 01 BC 507 | 01 B 135 | 01 C 09 | 11 | 3.0 | 6 5/8 | 5/8 | 77.2 |
| 5 1/2 | 140 | 01 B 508 | 01 B 140 | 241.30 | 98.4 | 55.6 | 216.0 | 14.0 | 01 BC 508 | 01 B 140 | | 279.40 | 76.0 | 768.0 | 16.0 | 35.0 |
| 5 15/16 | 150 | 01 B 515 | 01 B 150 | 10.000 | 3.875 | 2.188 | 9.055 | 35.3 | 01 BC 515 | 01 B 150 | 01 C 10 | 11 5/8 | 31/4 | 6 7/8 | 9/16 | 92.4 |
| 6 | 155 | 01 B 600 | 01 B 155 | 254.0 | 98.4 | 55.6 | 230.0 | 16.0 | 01 BC 600 | 01 B 155 | | 295.28 | 82.0 | 174.0 | 14.29 | 42.0 |

Add mm for millimeters and EX for expansion type or GR for fixed type to reference i.e. 01 B 50mm EX.

Chamfers
 Inner race: Sizes to 3 1/2 / 90mm : 1/16 / 1.5mm, over 3 1/2 / 90mm : 3/32 / 2.5mm
 Outer race: Sizes to 4 / 105mm : 1/32 / 1.0mm, over 4 / 105mm : 1/16 / 1.5mm

(1) Offset from centerline to accommodate axial movement should not exceed half this amount.
 (2) Q diameter clears clamp rings.



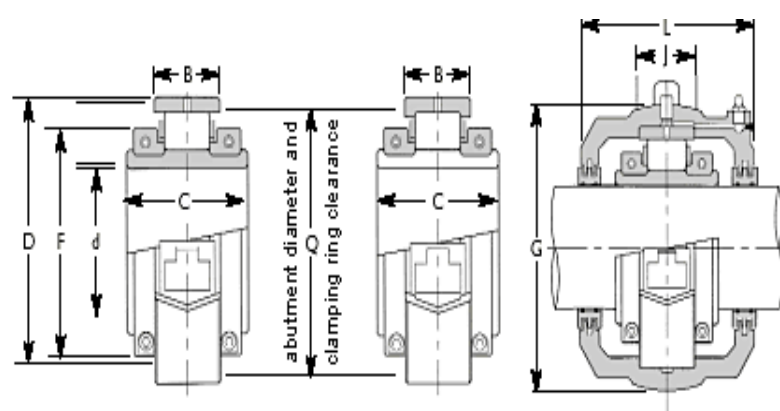
Pillow Blocks

| Shaft diameter (d) | | Reference | | Pedestal casting only | H | N | *O | P | Bolts | R | | S | T | Wt. (lb.) (kg) | |
|--------------------|-----|-----------------------|-------------|-----------------------|---------|--------|--------|-------|-------------------|---------|----------|-------|--------|----------------|--|
| | | Pillow block complete | | | | | | | | Min | Max | | | | |
| inches | mm | inches | millimeters | | | | | | | | | | | | |
| 1 3/16 | | 01 BCP 103 | | P01 | 2 3/8 | 9 | *2 3/8 | 7/8 | two (3) 1/2 inch | 6 3/4 | 7 1/2 | - | 5 1/2 | 11 | |
| 1 1/4 | 35 | 01 BCP 104 | 01 BCP 35 | | 60.0 | 228 | 60.0 | 22.0 | M12 | 172 | 192 | | 138 | 5.0 | |
| 1 7/16 | 40 | 01 BCP 107 | 01 BCP 40 | | | | | | | | | | | | |
| 1 1/2 | | 01 BCP 108 | | | | | | | | | | | | | |
| 1 11/16 | | 01 EBCP 111 | | P02 | 2 3/4 | 10 5/8 | *2 3/8 | 1 | two (3) 5/8 inch | 8 | 8 7/8 | - | 6 1/4 | 17.6 | |
| 1 3/4 | 45 | 01 EBCP 112 | 01 EBCP 45 | | 70.0 | 270 | 60.0 | 25.0 | M16 | 204.0 | 226.0 | | 158.0 | 8.0 | |
| 1 15/16 | 50 | 01 EBCP 115 | 01 EBCP 50 | | | | | | | | | | | | |
| 2 | | 01 EBCP 200 | | | | | | | | | | | | | |
| 2 3/16 | | 01 EBCP 203 | | P03 | 3 5/32 | 11 | *2 3/4 | 1 1/4 | two (3) 5/8 inch | 8 7/8 | 9 1/2 | - | 7 | 24.2 | |
| 2 1/4 | 60 | 01 EBCP 204 | 01 EBCP 60 | | 80.0 | 280.0 | 70.0 | 32.0 | M16 | 226.0 | 242.0 | | 180.0 | 11.0 | |
| 2 7/16 | 65 | 01 EBCP 207 | 01 EBCP 65 | | | | | | | | | | | | |
| 2 1/2 | | 01 EBCP 208 | | | | | | | | | | | | | |
| 2 11/16 | | 01 EBCP 211 | | P04 | 3 3/4 | 13 | *3 | 1 1/2 | two (3) 3/4 inch | 10 1/4 | 11 | - | 8 1/2 | 35.2 | |
| 2 3/4 | 70 | 01 EBCP 212 | 01 EBCP 70 | | 95.0 | 330.0 | 76.0 | 38.0 | M20 | 260.0 | 280.0 | | 208.0 | 16.0 | |
| 2 15/16 | 75 | 01 EBCP 215 | 01 EBCP 75 | | | | | | | | | | | | |
| 3 | | 01 EBCP 300 | | | | | | | | | | | | | |
| 3 3/16 | | 01 EBCP 303 | | P05 | 4 13/32 | 15 | 5 1/2 | 1 3/4 | four (3) 3/4 inch | 12 7/16 | 13 3/8 | 3 1/2 | 10 | 61.2 | |
| 3 1/4 | 80 | 01 EBCP 304 | 01 EBCP 80 | | 112.0 | 380.0 | 140.0 | 44.0 | M20 | 316.0 | 340.0 | 88.0 | 252.0 | 27.8 | |
| 3 7/16 | 85 | 01 EBCP 307 | 01 EBCP 85 | | | | | | | | | | | | |
| 3 1/2 | 90 | 01 EBCP 308 | 01 EBCP 90 | | | | | | | | | | | | |
| 3 11/16 | | 01 EBCP 311 | | P06 | 4 15/16 | 16 3/4 | 6 | 2 | four (3) 3/4 inch | 14 | 15 | 4 | 10 3/4 | 79.6 | |
| 3 3/4 | 100 | 01 EBCP 312 | 01 EBCP 100 | | 125.0 | 426.0 | 152.0 | 52.0 | M20 | 356.0 | 380.0 | 102.0 | 272.0 | 36.2 | |
| 3 15/16 | 105 | 01 EBCP 315 | 01 EBCP 105 | | | | | | | | | | | | |
| 4 | | 01 EBCP 400 | | | | | | | | | | | | | |
| 4 3/16 | | 01 BCP 403 | | P07 | 5 5/8 | 18 3/4 | 6 3/4 | 2 3/8 | four (3) 3/4 inch | 15 3/4 | 16 11/16 | 4 1/2 | 12 3/8 | 104.8 | |
| 4 7/16 | 110 | 01 BCP 407 | 01 BCP 110 | | 143.0 | 476.0 | 172.0 | 60.0 | M20 | 400.0 | 424.0 | 114.0 | 314.0 | 47.6 | |
| 4 1/2 | 115 | 01 BCP 408 | 01 BCP 115 | | | | | | | | | | | | |
| | | | | | | | | | | | | | | | |
| 4 15/16 | | 01 BCP 415 | | P08 | 6 3/8 | 20 | 7 | 1 1/2 | four 7/8 inch | 17 1/4 | 18 3/16 | 4 3/4 | 14 3/4 | 167.5 | |
| 5 | 120 | 01 BCP 500 | 01 BCP 120 | | 162.0 | 508.0 | 178.0 | 38.0 | M24 | 438.0 | 462.0 | 120.0 | 372.0 | 76.0 | |
| | 125 | | 01 BCP 125 | | | | | | | | | | | | |
| | 130 | | | | | | | | | | | | | | |
| 5 3/16 | | 01 BCP 503 | | P09 | 7 1/8 | 22 | 7 | 1 5/8 | four 7/8 inch | 18 1/2 | 19 1/2 | 4 3/4 | 15 7/8 | 191.8 | |
| 5 7/16 | 135 | 01 BCP 507 | 01 BCP 135 | | 181.0 | 558.0 | 178.0 | 40.0 | M24 | 470.0 | 494.0 | 120.0 | 405.0 | 87.0 | |
| 5 1/2 | 140 | 01 BCP 508 | 01 BCP 140 | | | | | | | | | | | | |
| | | | | | | | | | | | | | | | |
| 5 15/16 | | 01 BCP 515 | | P10 | 7 1/8 | 22 | 7 | 1 5/8 | four 7/8 inch | 19 | 20 | 4 3/4 | 16 1/4 | 213.8 | |
| 6 | 150 | 01 BCP 600 | 01 BCP 155 | | 181.0 | 558.0 | 178.0 | 40.0 | M24 | 484.0 | 508.0 | 120.0 | 415.0 | 97.0 | |

Add mm for millimeters and EX for expansion type or GR for fixed type to reference i.e. 01 BCP 50mm EX.

(3) These pedestals are furnished in two or four bolt configuration. Add 2B or 4B suffix when ordering e.g. 01 EBCP 50mm EX2B

* Dimensions listed applies to two bolt bases only



01 Series bearings, cartridges and pillow blocks 6 7/16 inch/160mm through 14 inches/340mm

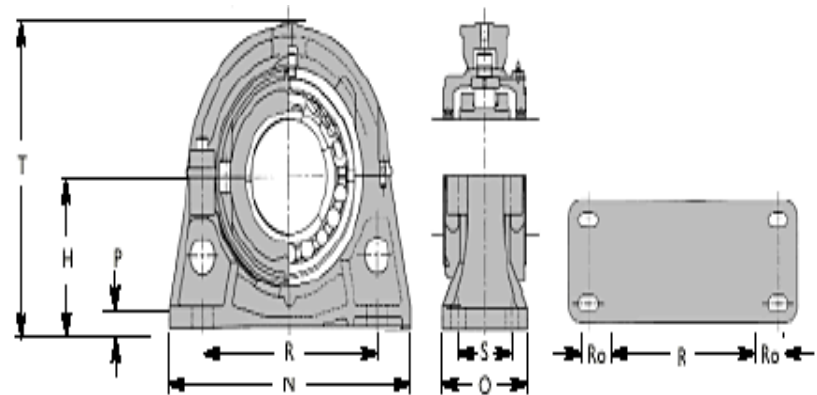
| Roller Bearing | | | | | | | | | Cartridge Unit | | | | | | | |
|--------------------|-----|--------------|-------------|--------|-------|-------|--------|----------------|-----------------------------|-------------|------------------------|--------|-------|--------|-----------------------------------|----------------|
| Shaft diameter (d) | | Reference | | D | C | B | Q | Wt. (lb.) (kg) | References | | Cartridge housing only | G | J | L | Available axial movement Note (1) | Wt. (lb.) (kg) |
| | | Bearing only | | | | | | | Cartridge, bearing and seal | | | | | | | |
| inches | mm | inches | millimeters | | | | | | inches | millimeters | | | | | | |
| 6 7/16 | 160 | 01 B 607 | 01 B 160 | 10.750 | 4.291 | 2.375 | 9.784 | 45.0 | 01 BC 607 | 01 BC 160 | 01 C 11 | 12 1/4 | 3.0 | 7 9/16 | 3/4 | 114.0 |
| 6 1/2 | 160 | 01 B 608 | 01 B 160 | 273.05 | 109.0 | 60.3 | 248.0 | 20.0 | 01 BC 608 | 01 BC 160 | 01 C 11 | 311.15 | 76.0 | 192.0 | 19.05 | 52.0 |
| 6 15/16 | 170 | 01 B 615 | 01 B 170 | 11.250 | 4.291 | 2.185 | 10.236 | 50.0 | 01 BC 615 | 01 BC 170 | 01 C 12 | 12 3/4 | 2 3/4 | 7 7/8 | 17/32 | 120.0 |
| 7 | 180 | 01 B 700 | 01 B 180 | 285.75 | 109.0 | 55.5 | 260.0 | 23.0 | 01 BC 700 | 01 BC 180 | 01 C 12 | 323.85 | 70.0 | 200.0 | 13.50 | 54.0 |
| 7 15/16 | 190 | 01 B 715 | 01 B 190 | 12.250 | 4.291 | 2.375 | 11.220 | 56.0 | 01 BC 715 | 01 BC 190 | 01 C 13 | 14 1/8 | 3 3/8 | 7 7/8 | 3/4 | 146.0 |
| 8 | 200 | 01 B 800 | 01 B 200 | 311.15 | 109.0 | 60.3 | 285.0 | 25.0 | 01 BC 800 | 01 BC 200 | 01 C 13 | 358.78 | 86.0 | 200.0 | 19.05 | 66.0 |
| 9 | 220 | 01 B 900 | 01 B 220 | 13.500 | 4.528 | 2.500 | 12.402 | 70.0 | 01 BC 900 | 01 BC 220 | 01 C 14 | 15 1/4 | 3 1/4 | 8 1/2 | 25/32 | 170.0 |
| | | | | 342.90 | 115.0 | 63.5 | 315.0 | 32.0 | | | 01 C 14 | 387.35 | 82.0 | 216.0 | 19.84 | 78.0 |
| 10 | 240 | 01 B 1000 | 01 B 240 | 14.750 | 4.803 | 2.625 | 13.543 | 90.0 | 01 BC 1000 | 01 BC 240 | 01 C 15 | 16 1/2 | 3 1/2 | 8 3/4 | 29/32 | 215.0 |
| | | | | 374.65 | 122.0 | 66.7 | 344.0 | 40.0 | | | 01 C 15 | 419.10 | 90.0 | 222.0 | 23.02 | 98.0 |
| 11 | 260 | 01 B 1100 | 01 B 260 | 16.000 | 5.039 | 2.719 | 14.764 | 110 | 01 BC 1100 | 01 BC 260 | 01 C 16 | 17 7/8 | 3 3/4 | 9 1/8 | 13/16 | 265.0 |
| | 280 | | 01 B 280 | 406.40 | 128.0 | 69.0 | 375.0 | 50.0 | | 01 BC 280 | 01 C 16 | 454.0 | 95.0 | 232.0 | 20.64 | 120.0 |
| 12 | 300 | 01 B 1200 | 01 B 300 | 17.250 | 5.625 | 2.938 | 15.906 | 135.0 | 01 BC 1200 | 01 BC 300 | 01 C 17 | 19 1/4 | 3 7/8 | 9 3/4 | 1 1/32 | 320.0 |
| | | | | 438.15 | 143.0 | 74.6 | 404.0 | 60.0 | | | 01 C 17 | 489.0 | 98.0 | 248.0 | 26.19 | 146.0 |
| 13 | 320 | 01 B 1300 | 01 B 320 | 18.250 | 5.354 | 2.938 | 17.008 | 160.0 | 01 BC 1300 | 01 BC 320 | 01 C 18 | 20 1/2 | 3 3/4 | 10 1/2 | - | 390.0 |
| | | | | 463.55 | 136.0 | 74.6 | 432.0 | 72.0 | | | 01 C 18 | 520.70 | 95.0 | 266.0 | - | 178.0 |
| 14 | 340 | 01 B 1400 | 01 B 340 | 19.250 | 5.354 | 2.938 | 17.953 | 170.0 | 01 BC 1400 | 01 BC 340 | 01 C 19 | 21 1/2 | 3 7/8 | 10 1/2 | - | 430.0 |
| | | | | 488.95 | 136.0 | 74.6 | 456.0 | 78.0 | | | 01 C 19 | 546.10 | 98.0 | 266.0 | - | 195.0 |

Add mm for millimeters and EX for expansion type or GR for fixed type to reference i.e. 01 B 200mm EX.

Chamfers
 Inner race: 1/8 inches / 3mm
 Outer race: 1/8 inches / 3mm

(1) Offset from centerline to accommodate axial movement should not exceed half this amount.
 (2) Q diameter clears clamp rings.

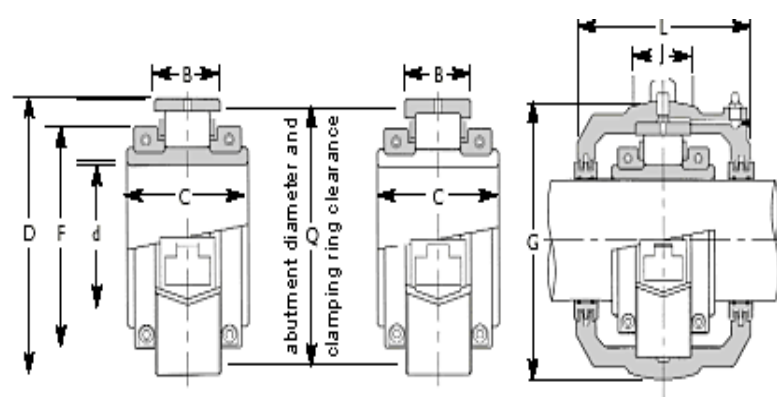
For these dimensions please consult our technical department.



Pillow blocks

| Shaft diameter (d) | | Reference | | Pedestal casting only | H | N | *O | P | Bolts | R | | S | T | Wt. (lb.) (kg) |
|--------------------|-----|-----------------------|-------------|-----------------------|--------|--------|-------|-------|---------|--------|--------|-------|--------|----------------------|
| | | Pillow block complete | | | | | | | | Min | Max | | | |
| inches | mm | inches | millimeters | | | | | | | | | | | |
| 6 7/8 | 160 | 01 BCP 607 | 01 BCP 160 | P11 | 8 3/8 | 20 | 7 | 1 1/4 | 4-1 | 14 | 15 | 4 1/2 | 17 | 248 |
| 6 1/2 | | 01 BCP 608 | | | 213 | 508 | 178 | 32 | M24 | 356 | 381 | 114 | 430 | 113 |
| 6 15/16 | 170 | 01 BCP 615 | 01 BCP 170 | P12 | 9 1/4 | 21 | 7 1/2 | 1 3/8 | 4-1 | 14 3/4 | 15 3/4 | 5 | 18 1/2 | 270 |
| 6 1/2 | 180 | 01 BCP 700 | 01 BCP 180 | | 235 | 534 | 190 | 35 | M24 | 375 | 400 | 128 | 470 | 123 |
| 7 15/16 | 190 | 01 BCP 715 | 01 BCP 190 | P13 | 9 3/4 | 22 1/2 | 8 | 1 1/2 | 4-1 | 16 1/8 | 17 1/8 | 5 1/2 | 19 1/2 | 340 |
| 8 | 200 | 01 BCP 800 | 01 BCP 200 | | 248 | 572 | 204 | 38 | M24 | 410 | 435 | 140 | 495 | 154 |
| 9 | 220 | 01 BCP 900 | 01 BCP 220 | P14 | 10 5/8 | 25 | 8 1/2 | 1 5/8 | 4-1 1/4 | 17 3/8 | 18 7/8 | 5 1/2 | 21 1/4 | 420 |
| | | | | | 270 | 636 | 216 | 40 | M30 | 441 | 480 | 140 | 540 | 190 |
| 10 | 240 | 01 BCP 1000 | 01 BCP 240 | P15 | 11 1/2 | 27 | 9 | 1 3/4 | 4-1 1/4 | 19 | 20 1/2 | 5 1/2 | 23 | 530 |
| | | | | | 292 | 686 | 228 | 44 | M30 | 483 | 521 | 140 | 585 | 240 |
| 11 | 260 | 01 BCP 1100 | 01 BCP 260 | P16 | 12 1/4 | 28 1/2 | 9 | 1 7/8 | 4-1 1/4 | 20 1/4 | 21 3/4 | 5 1/2 | 24 1/2 | 630 |
| | 280 | | 01 BCP 280 | | 311 | 724 | 228 | 48 | M30 | 514 | 552 | 140 | 620 | 286 |
| 12 | 300 | 01 BCP 1200 | 01 BCP 300 | P17 | 13 1/2 | 30 | 10 | 2 | 4-1 1/4 | 22 1/4 | 23 3/4 | 7 | 27 | 750 |
| | | | | | 343 | 762 | 254 | 50 | M30 | 565 | 603 | 178 | 685 | 340 |
| 13 | 320 | 01 BCP 1300 | 01 BCP 320 | P18 | 14 1/2 | 32 | 10 | 2 1/8 | 4-1 1/2 | 23 3/4 | 25 1/4 | 7 | 29 | 850 |
| | | | | | 368 | 812 | 254 | 54 | M36 | 603 | 641 | 178 | 735 | 386 |
| 14 | 340 | 01 BCP 1400 | 01 BCP 340 | P19 | 15 1/4 | 33 1/2 | 10 | 2 1/4 | 4-1 1/2 | 25 | 26 1/2 | 6 1/2 | 30 1/2 | 950 |
| | | | | | 387 | 850 | 254 | 57 | M36 | 635 | 673 | 166 | 775 | 430 |

Add mm for millimeters and EX for expansion type or GR for fixed type to reference i.e. 01 BCP 300mm EX.



01 Series bearings, cartridges and pillow blocks 15 inch/360mm through 24 inches/600mm

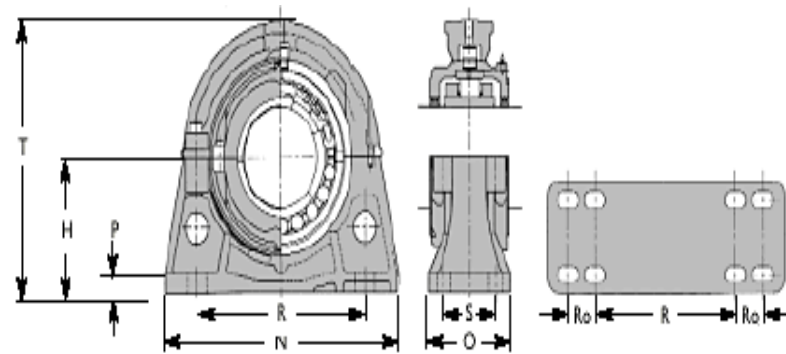
| Roller Bearing | | | | | | | | Cartridge Unit | | | | | | | | |
|--------------------|-----|--------------|-------------|--------|-------|-------|--------|----------------|-----------------------------|-------------|------------------------|--------|-------|----------|-----------------------------------|----------------|
| Shaft diameter (d) | | Reference | | D | C | B | Q | Wt. (lb.) (kg) | References | | Cartridge housing only | G | J | L | Available axial movement Note (1) | Wt. (lb.) (kg) |
| | | Bearing only | | | | | | | Cartridge, bearing and seal | | | | | | | |
| inches | mm | inches | millimeters | | | | | | inches | millimeters | | | | | | |
| 15 | 360 | 01 B 1500 | 01 B 360 | 20.500 | 5.512 | 3.000 | 19.134 | 190.0 | 01 BC 1500 | 01 BC 360 | 01 C 20 | 22 1/2 | 3 7/8 | 10 13/16 | - | 470.0 |
| | 380 | | 01 B 380 | 520.70 | 140.0 | 76.2 | 486.0 | 88.0 | | 01 BC 380 | | 571.50 | 98.0 | 274.0 | - | 212.0 |
| 16 | 400 | 01 B 1600 | 01 B 400 | 21.508 | 5.512 | 3.000 | 20.157 | 210.0 | 01 BC 1600 | 01 BC 400 | 01 C 21 | 23 3/4 | 4 | 11 1/16 | - | 520.0 |
| | | | | 546.10 | 140.0 | 76.2 | 512.0 | 95.0 | | 603.30 | | 102.0 | 280.0 | - | 238.0 | |
| 17 | 420 | 01 B 1700 | 01 B 420 | 22.500 | 5.512 | 3.000 | 21.181 | 230.0 | 01 BC 1700 | 01 BC 420 | 01 C 22 | 24 3/4 | 4 | 11 1/2 | - | 560.0 |
| | | | | 571.50 | 140.0 | 76.2 | 538.0 | 104.0 | | 628.70 | | 102.0 | 292.0 | - | 254.0 | |
| 18 | 440 | 01 B 1800 | 01 B 440 | 23.500 | 5.512 | 3.000 | 22.125 | 250.0 | 01 BC 1800 | 01 BC 440 | 01 C 23 | 25 5/8 | 4 1/4 | 12 | - | 580.0 |
| | 460 | | 01 B 460 | 596.90 | 140.0 | 76.2 | 562.0 | 114.0 | | 650.90 | | 108.0 | 304.0 | - | 265.0 | |
| 19 | 480 | 01 B 1900 | 01 B 480 | 24.750 | 5.669 | 3.187 | 23.386 | 280.0 | 01 BC 1900 | 01 BC 480 | 01 C 24 | 26 7/8 | 4 1/4 | 12 9/16 | - | 640.0 |
| | | | | 628.65 | 144.0 | 81.0 | 594.0 | 128.0 | | 682.60 | | 108.0 | 318.0 | - | 290.0 | |
| 20 | 500 | 01 B 2000 | 01 B 500 | 25.750 | 6.614 | 3.156 | 24.331 | 300.0 | 01 BC 2000 | 01 BC 500 | 01 C 25 | 28 1/4 | 4 1/2 | 12 13/16 | - | 720.0 |
| | | | | 654.05 | 168.0 | 80.2 | 618.0 | 136.0 | | 717.60 | | 114.0 | 324.0 | - | 328.0 | |
| 21 | 530 | 01 B 2100 | 01 B 530 | 27.250 | 6.614 | 3.187 | 25.590 | 360.0 | 01 BC 2100 | 01 BC 530 | 01 C 26 | 29 3/4 | 4 1/2 | 13 | - | 860.0 |
| | | | | 692.15 | 168.0 | 81.0 | 650.0 | 164.0 | | 755.70 | | 114.0 | 330.0 | - | 390.0 | |
| 22 | 560 | 01 B 2200 | 01 B 560 | 28.250 | 6.614 | 3.187 | 26.578 | 390.0 | 01 BC 2200 | 01 BC 560 | 01 C 27 | 30 3/4 | 4 1/2 | 13 1/4 | - | 950.0 |
| | | | | 717.55 | 168.0 | 81.0 | 675.0 | 178.0 | | 781.10 | | 114.0 | 336.0 | - | 430.0 | |
| 23 | - | 01 B 2300 | - | 29.500 | 6.772 | 3.312 | 27.797 | 430.0 | 01 BC 2300 | - | 01 C 28 | 32 1/8 | 4 3/4 | 13 1/2 | - | 1030.0 |
| | | | | 749.0 | 172.0 | 84.1 | 706.0 | 195.0 | | 816.0 | | 120.0 | 342.0 | - | 468.0 | |
| 24 | 600 | 01 B 2400 | 01 B 600 | 30.500 | 6.772 | 3.312 | 28.819 | 460.0 | 01 BC 2400 | 01 BC 600 | 01 C 29 | 33 1/8 | 4 3/4 | 13 1/2 | - | 1110.0 |
| | | | | 774.70 | 172.0 | 84.1 | 732.0 | 210.0 | | 841.40 | | 120.0 | 342.0 | - | 500.0 | |

Add mm for millimeters and EX for expansion type or GR for fixed type to reference i.e. 01 B 200mm EX.

Chamfers
 Inner race: 1/8 inches / 3mm
 Outer race: 1/8 inches / 3mm

(1) Offset from centerline to accommodate axial movement should not exceed half this amount.
 (2) Q diameter clears clamp rings.

For these dimensions please consult our technical department.



Pillow blocks

| Shaft diameter (d) | | Reference | | Pedestal casting only | H | N | O | P | Bolts | R | | Ro | S | T | Wt. (lb.) (kg) |
|--------------------|------------|-----------------------|--------------------------|-----------------------|---------------|---------------|-----------|-------------|----------------|---------------|---------------|--------------|--------------|----------------|----------------------|
| | | Pillow block complete | | | | | | | | Min | Max | | | | |
| inches | mm | inches | millimeters | | | | | | | | | | | | |
| 15 | 360 380 | 01 BCP 1500 | 01 BCP 360 01 BCP 380 | P20 | 15 5/8 397 | 35 1/2 902 | 10 254 | 2 3/8 60 | 4-1 1/2 M36 | 25 7/8 658 | 27 3/8 695 | - - | 6 1/2 166 | 31 1/4 795 | 1100 500 |
| 16 | 400 | 01 BCP 1600 | 01 BCP 400 | P21 | 17 432 | 37 940 | 10 254 | 2 5/8 67 | 4-1 1/2 M36 | 27 3/4 705 | 29 1/4 743 | - - | 6 1/2 166 | 34 885 | 1200 545 |
| 17 | 420 | 01 BCP 1700 | 01 BCP 420 | P22 | 17 1/2 445 | 38 966 | 10 254 | 2 5/8 67 | 4-1 1/2 M36 | 29 737 | 30 1/2 775 | - - | 6 1/2 166 | 35 890 | 1250 570 |
| 18 | 440 460 | 01 BCP 1800 | 01 BCP 440 01 BCP 460 | P23 | 18 1/2 464 | 41 1042 | 11 280 | 2 3/4 70 | 4-1 3/4 M42 | 30 1/4 768 | 31 3/4 806 | - - | 7 1/2 190 | 36 1/2 925 | 1400 635 |
| 19 | 480 | 01 BCP 1900 | 01 BCP 480 | P24 | 19 483 | 43 1092 | 12 304 | 2 7/8 73 | 4-1 3/4 M42 | 31 3/8 797 | 32 7/8 835 | - - | 7 3/8 188 | 38 965 | 1650 750 |
| 20 | 500 | 01 BCP 2000 | 01 BCP 500 | P25 | 19 1/4 489 | 43 1092 | 12 304 | 3 76 | 4-1 3/4 M42 | 32 1/2 826 | 34 864 | - - | 8 1/2 216 | 38 1/2 980 | 1700 770 |
| 21 | 530 | 01 BCP 2100 | 01 BCP 530 | P26 | 21 533 | 47 1194 | 12 304 | 3 1/8 80 | 4-1 3/4 M42 | 34 7/8 886 | 36 3/8 924 | - - | 8 1/8 206 | 42 1065 | 1950 885 |
| 22 | 560 | 01 BCP 2200 | 01 BCP 560 | P27 | 21 3/4 552 | 48 1220 | 12 304 | 3 1/4 83 | 4-1 3/4 M42 | 36 1/8 918 | 37 5/8 956 | - - | 8 1/8 206 | 43 1/2 1110 | 2200 1000 |
| 23 | - | 01 BCP 2300 | - | P28 | 22 3/4 578 | 53 1372 | 12 304 | 3 1/2 83 | 8-1 1/2 M36 | 33 3/4 857 | 35 1/4 896 | 4 102 | 8 5/8 220 | 45 1/2 1156 | 2400 1100 |
| 24 | 600 | 01 BCP 2400 | 01 BCP 600 | P29 | 23 1/2 597 | 54 1372 | 12 304 | 3 1/2 90 | 8-1 1/2 M36 | 35 889 | 36 1/2 927 | 4 1/8 105 | 8 5/8 226 | 47 1200 | 2700 1220 |

Add mm for millimeters and EX for expansion type or GR for fixed type to reference i.e. 01 BCP 300mm EX.

For these dimensions please consult our technical department.